



Integrating Plastic Technologies Since 1965

Brushless Pro

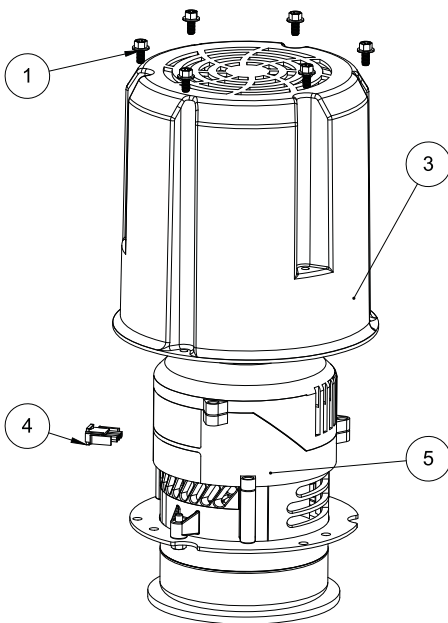
Integral Vacuum Motor

The Most Powerful and Reliable Motor on the Market

The innovative design and enhancements of the Integral Pro Brushless motor provide increased performance over competitive models. The new Integral Pro operates at a lower temperature to extend the life of the brushless motor. Improved acoustic technology as well as an innovative motor cover have been applied to reduce noise and substantially improve the sound quality produced by this blower making it one of Hamilton's quietest high flow designs available.

New to the feature list, "Common Performance" provides the ability to have the same air performance whether operating at 120V or 240V AC. Along with the new Motor Cover that works double duty as both the sound enclosure and the clamp,

The proven reliability of Hamilton Loaders makes the PRO Series the perfect fit for an extraordinary number of applications around the world. Hamilton Plastic Systems has learned numerous lessons from past engagements fueling this next generation in development, design, and value creation. The features and functions offered allow the Integral PRO to fit seamlessly into your application.



Components for the Brushless Pro Assembly Hamilton Part No: 65.0100.000

Item No.	Qty.	Part No.	Description
1	6	-	1/4-20 Hex Flanged Bolts
2	1	10.004.001	Bushing Strain Relief
3	1	90.600.101	Brushless Integral Pro Motor Cover
4	1	10.063.350766-1	3 Position Power Connector
5	1	65.0230.001	Integral Pro Brushless Motor





Brushless Pro - Integral Vacuum Motor

Steps for Replacing a Brushless Pro Integral Vacuum Motor.



Step 1:
Place the Brushless Pro Motor top of the lid.
Center the motor for best performance.



Step 2:
Connect power cable.
Be sure it is secure before proceeding.



Step 3:
Place Motor Cover over the Brushless Motor.
Make sure to align the guides.



Step 4:
Screw the Motor Cover to the
Brushless Pro's Holding Plate.



Step 5:
Screw the Brushless Pro Assembly
onto the Lid.



Step 6:
Secure all bolts on the cover. Cycle
loader 3 times to ensure proper
operation.

