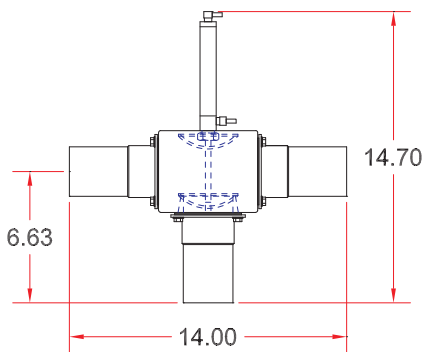
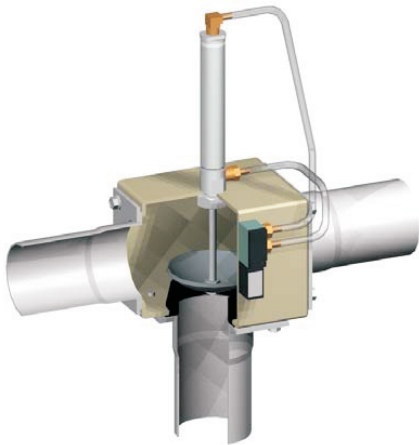
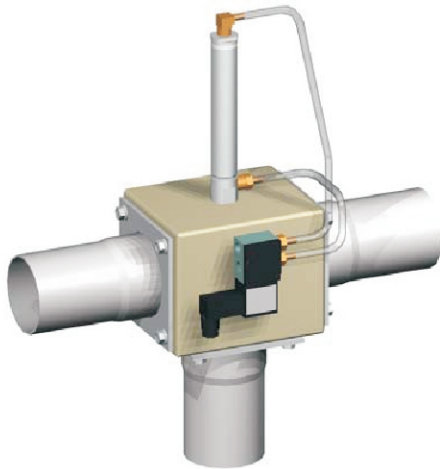




Integrating plastic technologies  
since 1965

# TEE VALVES



Hamilton's vacuum Tee Valves are an ideal method of connecting, opening and closing the vacuum line to each machine from a central loading system. They feature high quality construction using carbon steel and Aluminum with quick disconnects on the electrical connections. High temperature rated so dried resins are not a problem. The modular design allows assembly/disassembly in minutes for cleaning or maintenance.

## FEATURES:

- Line sizes from 1.5" to 2.5"
- Standard voltage 110/1/60
- Carbon steel construction

## AVAILABLE OPTIONS:

- Stainless steel (304) body
- Voltages available: 24VDC, 24VAC, 110VAC, 220VAC

## SPECIFICATIONS:

Models	Line size O.D.(IN)	Air flow (CFM)
75.1715.00	1 1/2	65
75.1775.00	1 3/4	90
75.1720.00	2	120
75.1797.00	2 3/16	160
75.1722.00	2 1/4	160
75.1725.00	2 1/2	200

**Hamilton Plastic Systems Ltd.**  
230 Brunel Rd., Mississauga, ON L4Z 1T5  
905-890-0055 • 1-800-590-5546  
sales@HamiltonPSL.com  
www.hamiltonplasticsystems.com

**Representative:**



Integrating plastic technologies since 1965