



# AUTOMATIC MANIFOLDS

Integrating Plastic Technologies Since 1965

## AMM Series

The automatic manifolds AMM series are the ideal solution for the distribution of plastic materials from storage area.

There are four models with pipes to machines of 40-50-60-70 mm diameter.



### Technical Specifications:

- Control with PLC Siemens and a touch screen interface. The control unit manages up to 4 modules.
- Gear-motor with a built-in brake system.
- Components made of wear-resistant stainless steel.

### Added Value:

#### Reliable

- The precision of the mechanical parts, the control with PLC and its sensors guarantee an absolute reliability.

#### No "Ground" Footprint and Expansions

- Its special design, modularity, and the possibility to expand its functions result in an innovative product in this field.

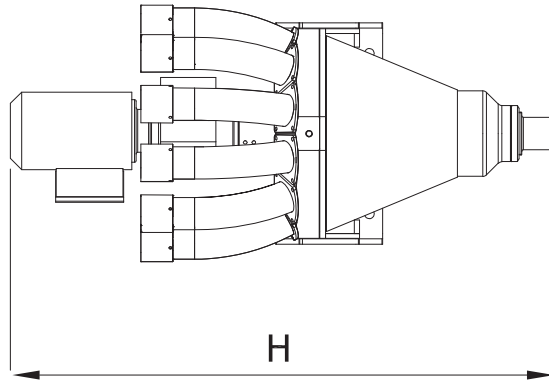
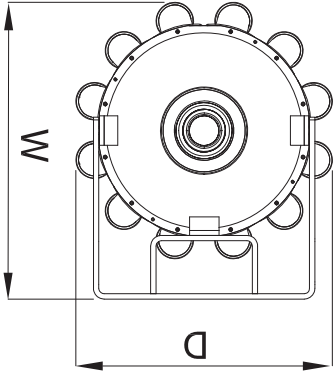
#### Safety

- The moving parts are inside the manifold: no risks for operators.





# Automatic Manifolds - AMM Series



## Possible Configurations



2 Manifold



3 Manifold



3 Manifold



4 Manifold

TECHNICAL DATA		D.40	D. 50	D. 60	D. 70
Connections	N°	20	16	12	12
Voltage/Frequency	V/Hz	400/50-60	400/50-60	400/50-60	400/50-60
Total power	KW	0.15	0.15	0.15	0.15
Dimensions WxDxH	mm	544x459x1016	548x466x1016	550x469x1016	555x480x1016
Weight	kg	160	160	160	160

